

ILFC Series

Fixed Flow Pressure Compensated Control Valve



Nuffield Road,
St. Ives, Cambs.,
PE27 3LZ, UK
Tel: +44(0)1480 397400
Fax: +44(0)1480 466555
www.webtec.co.uk
E-mail: sales@webtec.co.uk

Flow Control Valves maintain the flow rate of hydraulic fluid to a specified value.

Applications include hydraulic cylinders required to extend or retract at constant speeds and hydraulic motors required to rotate at constant speeds. When used with a fixed delivery pump the excess flow is By-Passed across a relief valve.

Specifications

Maximum Pressure:
210 bar (working)

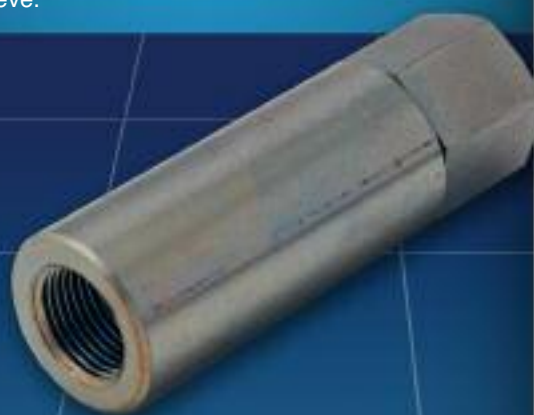
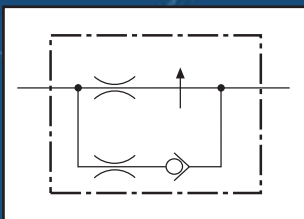
Maximum Flow:
16 lpm

Porting:
BSPP, NPTF, & UNF - see Table 1

Material:
Exterior parts; Zinc plated clear passivate steel.
Interior parts; Steel spool in aluminium sleeve.

Weight:
See Table 1

Symbol



Features

- Pressure compensated to ensure a constant flow rate under varying pressures.
- Pre-set in factory to customer requirements at any flow rate between 1.5 lpm - 16 lpm.
- Uncontrolled flow is permitted in reverse direction.
- Zinc plated clear passivate.
- Cartridge version available, without steel body.

Manufacturers of hydraulic components and test equipment
for the Mobile, Industrial and Agricultural industries



ILFC-BU-ENG-2558.pdf
(Issue 1)

06/10

Ordering Codes

Typical Code **ILFC 16 5 J**

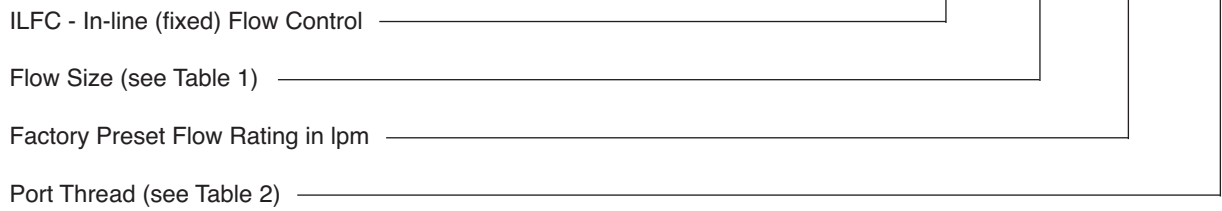


Table 1: Dimensions

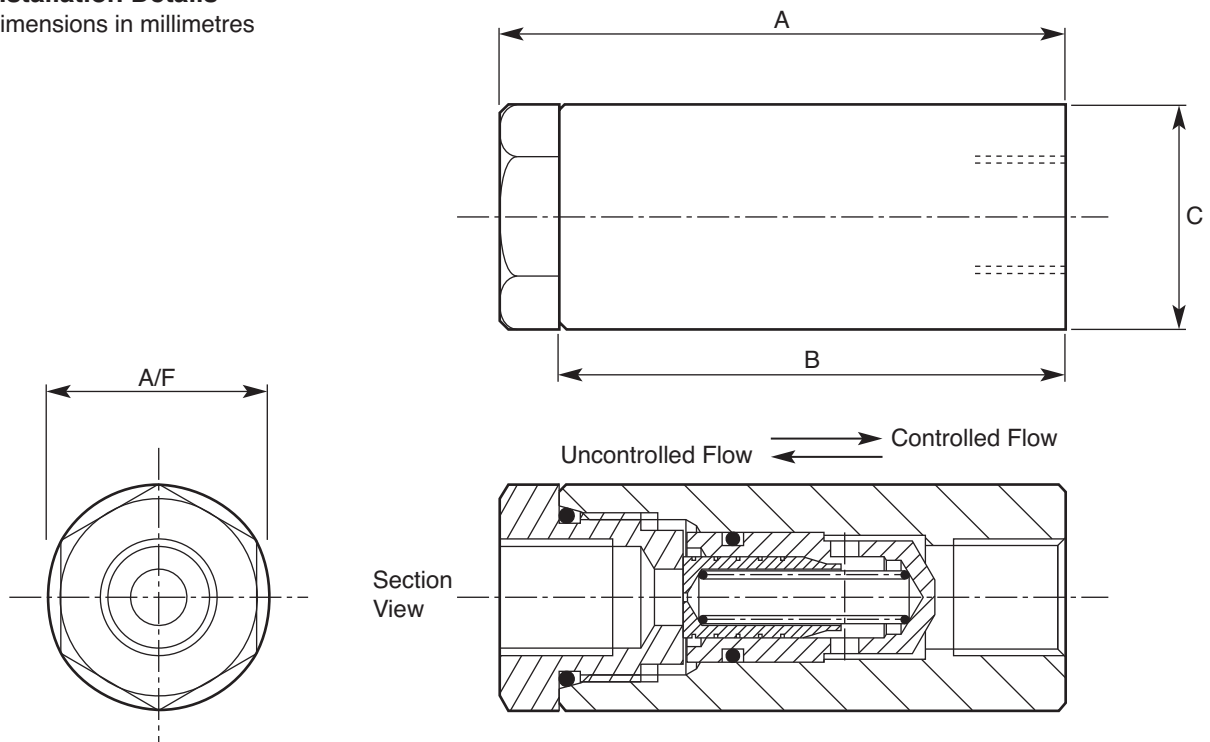
Code	Flow Range	Port		A	B	C	A/F	Weight (kg)
		Size	Thread					
14	1.5 - 14 lpm	1/4"	BSPP	64	57	25	22	0.20
14	1.5 - 14 lpm	1/4"	NPTF	87	62	25	22	0.25
16	1.5 - 16 lpm	3/8"	BSPP	77	57	25	22	0.20
16	1.5 - 16 lpm	3/8"	NPTF	87	62	25	22	0.25
16	1.5 - 16 lpm	9/16"	UNF	87	62	25	22	0.25

Table 2: Porting*

Code	Thread
J	BSPP
A	NPTF
G	UNF

Installation Details

Dimensions in millimetres



* Other threads available to special order.

