

BG4D Series

Directional Control Valves



Nuffield Road,
St. Ives, Cambs.,
PE27 3LZ, UK
Tel: +44(0)1480 397400
Fax: +44(0)1480 466555
www.webtec.co.uk
E-mail: sales@webtec.co.uk

The BG4D is a heavy duty, low leakage directional control valve with many customer configurable elements, including selection mechanism, porting, spool type and control plus additional options such as built in relief valves. The valve is highly customisable so if there is something you need and it is not shown below then please contact our sales office to discuss your unique requirements.

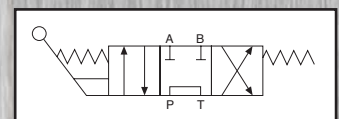


Features

- Maximum operating pressure: 250 bar, 3625 psi - including 'Tank' port
- Maximum flow: up to 100 lpm, 25 US gpm
- Choice of BSPP and SAE ports
- Nitrile rubber seals: alternatives are available - contact sales office
- Simple four bolt mounting: M8 x 12 (BSPP porting) or 5/16" UNF x 1/2" (SAE porting)
- Ambient temperature range: -30 to 50 °C
- Fluid temperature range: -30 to 80 °C

Hydraulic Symbol

BG4D-H-G-4-E



BFPA The British Fluid Power Association



Certificate No.8242

BG4D-BU-ENG-2378.pdf 04/12
(Issue 2)

Manufacturers of hydraulic components and test equipment
for the Mobile, Industrial and Agricultural industries

Specification

Maximum operating pressure: 250 bar, 3625 psi - including 'Tank' port

Maximum flow: up to 100 lpm, 25 US gpm

Choice of BSPP and SAE ports

Nitrile rubber seals: alternatives are available - contact sales office

Simple four bolt mounting: M8 x 12 (BSPP porting) or 5/16" x 1/2" (SAE porting)

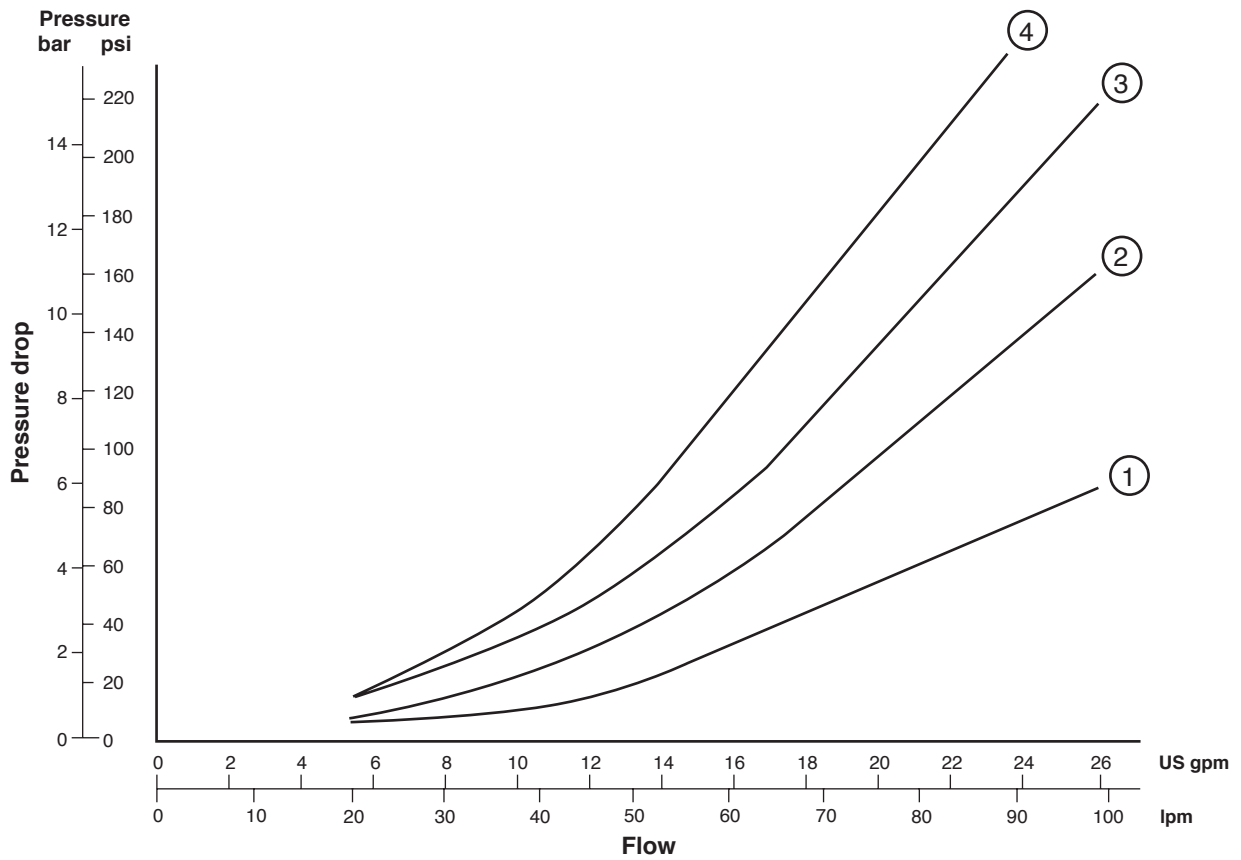
Ambient temperature range: -30 to 50 °C

Fluid temperature range: -30 to 80 °C

Recommended filtration: 25 microns or better

Viscosity range: 13 to 400 Cst

Pressure Drop Curve



Spool type	A					C			
Flow selected	B-T	P-B	P-T	P-A	A-T	B-T	P-A	A-T	P-B
Curve number	2	1	1	1	2	3	2	3	2

Spool type	G					H			
Flow selected	B-T	P-B	P-T	P-A	A-T	B-T	P-A	A-T	P-B
Curve number	4	4	2	4	4	3	2	3	2

BG4D Lever Operated

Additional Specification

- Weight: 4.5 kg



Ordering Code

Porting	
1/2" BSPP	J
3/4" -16 UN #8 SAE ORB	H

Spool Type	
	A
	C
	G
	H

Spool Control		
	Spring centred. 3 position	4
	Detent. 3 position	3

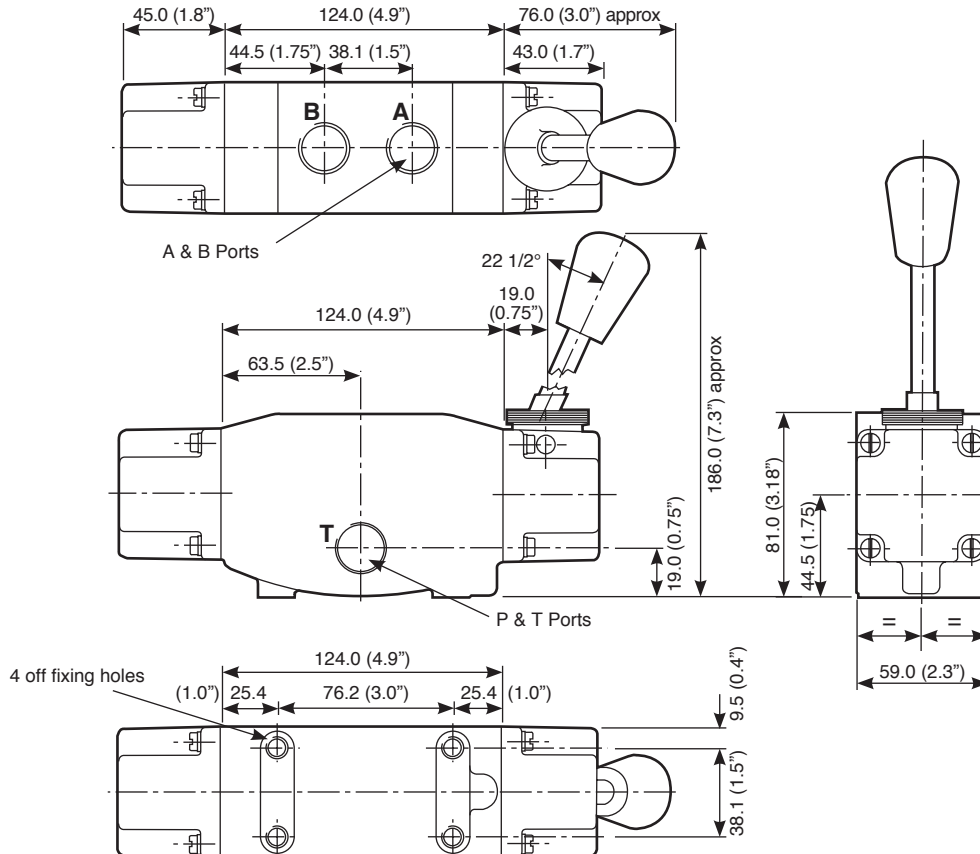
Special		
	Spring centred from P-A. Opposite end Detent (G & M Spool Only).	J

Lever type	
Standard 22 1/2° Lever. Facing up-direction of ports.	E
As 'E' but facing down. Opposite ports.	B

Example: BG4D - J - C - 3 - E

Please contact our technical sales team to discuss any special order requirements.

Dimensions: mm (Inches)



BG4D Cam Operated

Additional Specification

- Cam actuator fitted on A port end
- Cam depressed P to A
- Weight 4.7kg



Ordering Code

Porting	
1/2" BSPP	J
3/4" -16 UN #8 SAE ORB	H

Spool Type	
	A
	C

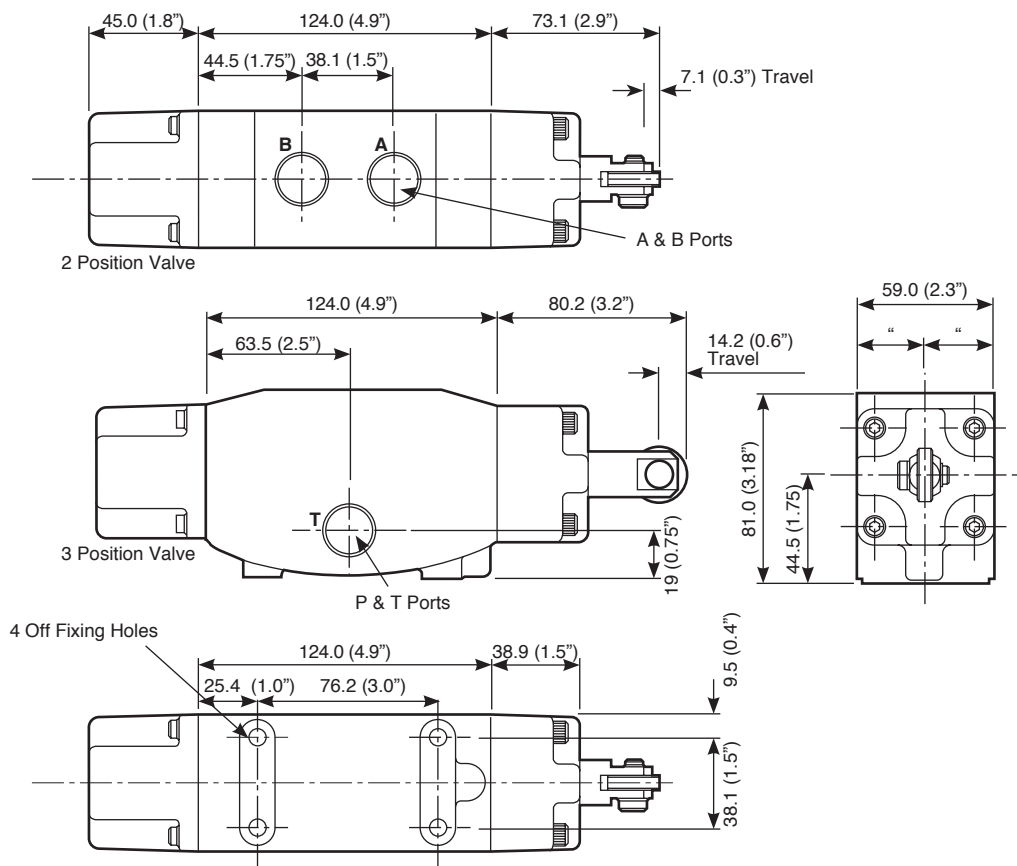
Spool Control		
	Spring P to B Allows full spool travel	8
	Spring to centre condition. Allowing half spool travel	9

Operation	
Cam Operated	C

 - -

Example BG4D - J - A
8
C

Dimensions: mm (Inches)



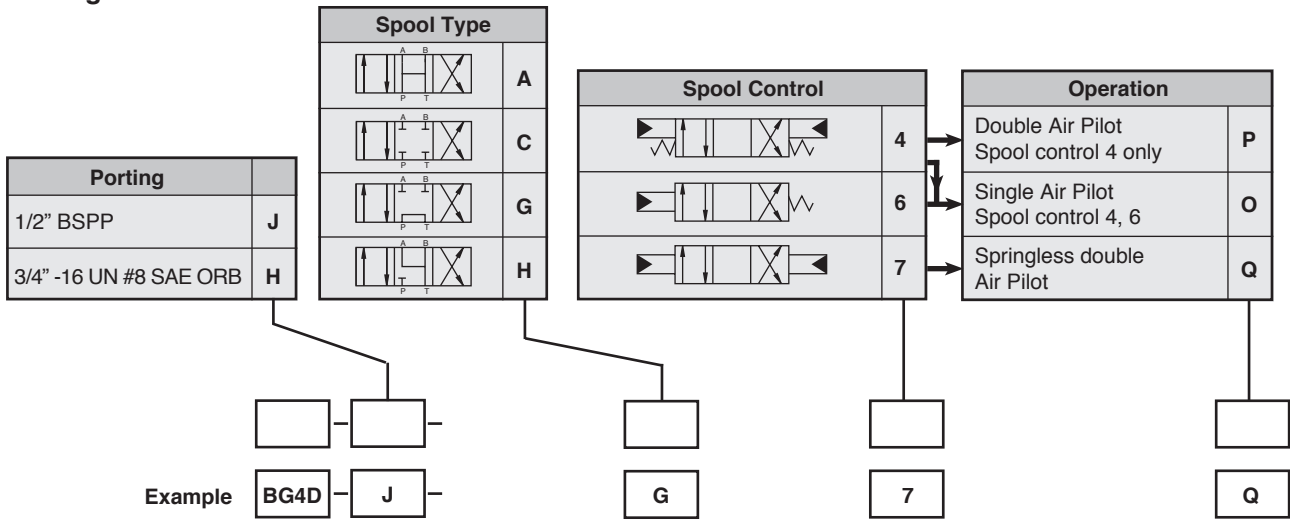
BG4D Air Operated

Additional Specification

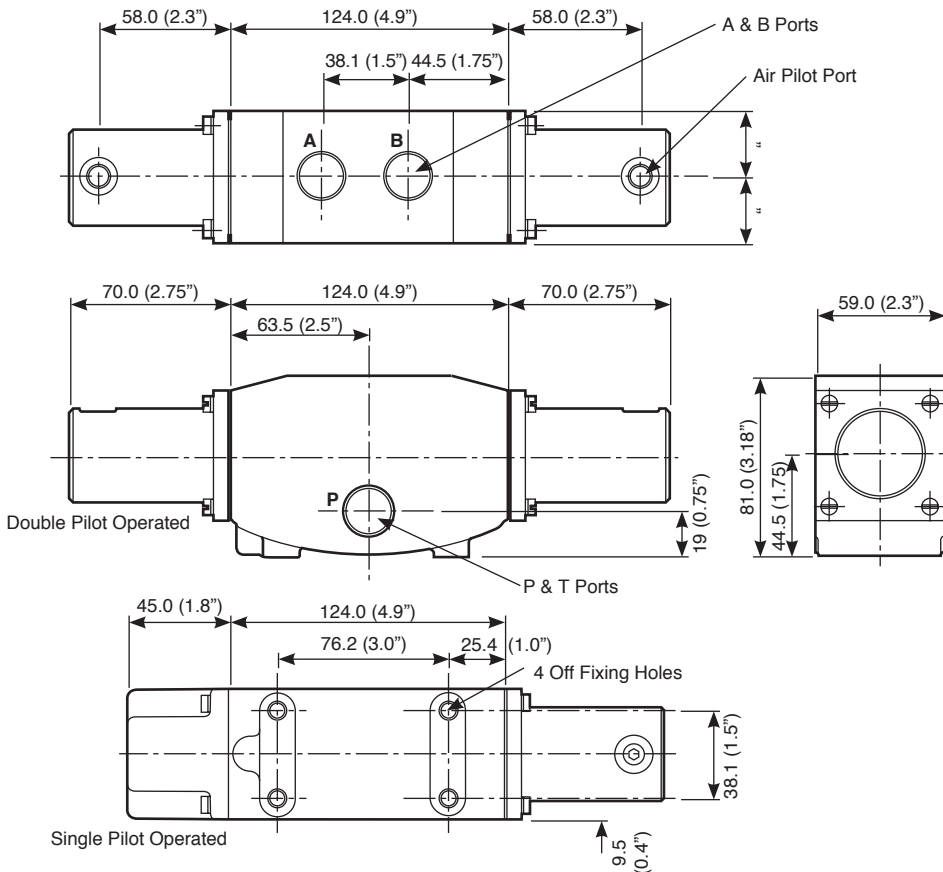
- Pilot porting 1/8" BSPP
- Pilot operating pressure (min to max),
5 - 10 bar, 70 - 145 psi
- Pilot volume 15cc
- Weight 4.1 kg



Ordering Code



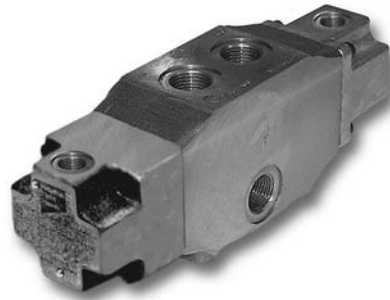
Dimensions: mm (Inches)



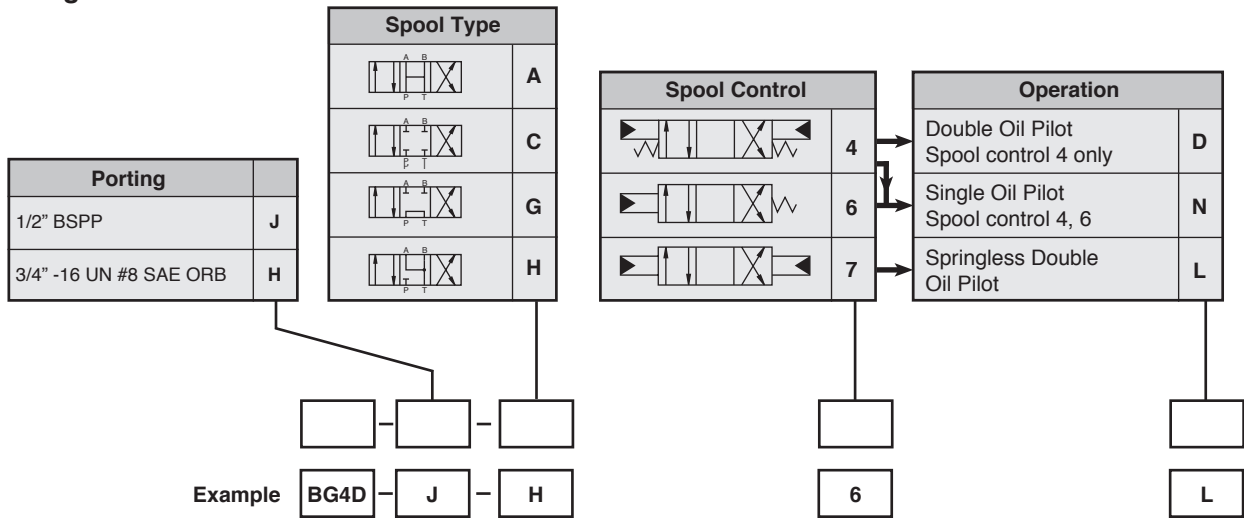
BG4D Oil Operated

Additional Specification

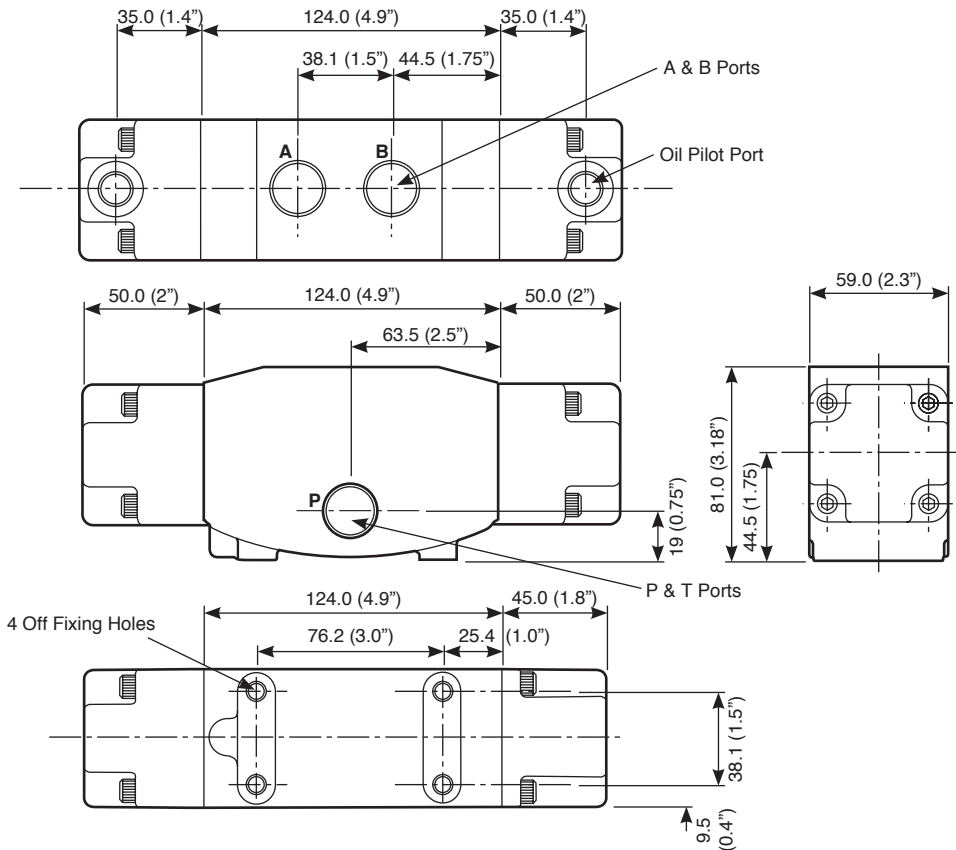
- Pilot porting 1/4" BSPP
- Pilot operating pressure (min to max),
10 - 135 bar, 145 - 2000 psi
- Pilot volume 7.5cc
- Weight 4.1 kg



Ordering Code



Dimensions: mm (Inches)



BG4D - Lever operated with relief valve

Additional Specification

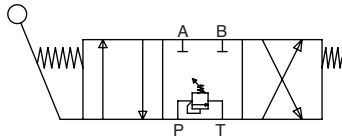
- Maximum flow rate - 50 lpm, 13 US gpm
- Adjustable relief valve 14 - 210 bar, 200 - 3000 psi



Ordering Code

To order the relief valve option add RV to the start of the code - in this example the code would be -

RVBG4D-H-G-4-E



Not every configuration is possible - please consult sales office for guidance.

Dimensions: mm (Inches)

