



WEBTEC

WEBTEC PRODUCTS LIMITED

Flow Meters to suit various applications



W/P SERIES

Manufacturers of hydraulic components and test equipment for the Mobile, Industrial and Agricultural industries



Certificate No.8242

A versatile flow meter with a unique design...

Webtec's WP series in-line flow meters for 1/4 - 2" pipe sizes

The unique design of the WP series flow meter offers:

- Attractive & economical solution to measuring fluid flow
- Good tolerance to changes in fluid viscosity
- Low-pressure drop, typically 1 - 2 bar at full flow, depending on model
- Suitable for installation in any piping orientation
- Uses internal magnetic coupling instead of mechanical linkages that can fail, thus extending the product life and improving reliability
- Each monitor carries our standard parts and labour warranty against defects in materials and workmanship

An economical flow meter with a unique design that offers both good accuracy and low pressure drop over a wide viscosity range



Photograph above shows US Gallons and Litres per minute

WP series uni-directional flow meters offer an economical solution for measuring fluid flow in a wide range of applications

Solid construction

Featuring a twin-wall design, the inner wall machined from aluminium and the outer from clear polycarbonate, all WP meters are rated up to 240 bar and 115°C. High temperature models rated to 315°C available.

Multiple fluid types

Meters are calibrated as standard for hydraulic oil, however calibration for phosphate esters is available on request.

Large flow range

Available in a variety of models; the smallest can measure down to 0.5 lpm and the largest up to 550 lpm. WP meters typically offer a 10:1 turndown ratio.

Dual scale

Incorporate an easy to read dual-scale showing both US gpm and lpm.

Accurate & repeatable

Accurate to within +/- 4% of full flow.

Various porting options

Available in a range of standard port sizes from 1/4 - 2" BSPP, NPT and SAE porting available on request.



Maximum operating pressure and temperature of 240 bar (3500 psi) and 115°C are standard

Operating theory

Enclosed within a high pressure casing (A), a high strength magnet (B) is in tandem with the sharp-edged annular orifice disk (C) and is pressed towards the zero flow rate position by a linear rate compression spring (D). A tapered metering pin (E) is positioned concentrically within the annular orifice disk and provides a variable-area opening that increases by the square of linear displacement of the orifice disk. Fluid flow creates a pressure differential across the orifice disk, pressing the orifice disk and magnet against the compression spring. Flow rate is read by aligning the magnetically coupled follower (F) with the graduated scale (G) located within the environmentally sealed window (H). The variable-area orifice design provides pressure differentials and orifice displacements that are proportional to fluid flow rate.

Also available

Brass & stainless steel models

Suitable for use with water and corrosive fluids

Pneumatic flow meters

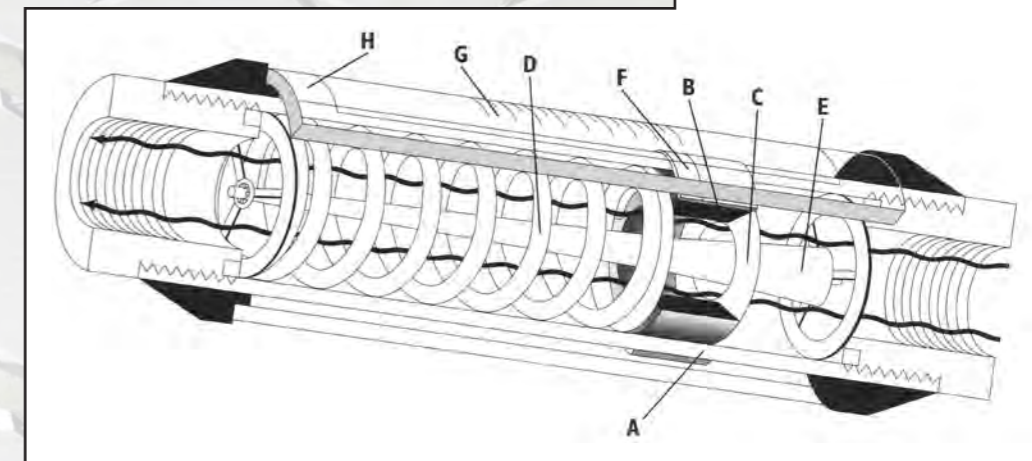
Calibrated for use with air and gas

Flow switches

To signal both 'high' and 'low' flow conditions

Analogue output module

Ideal for remote indication



...for mobile, industrial and agricultural applications

Product Selector

Maximum operating pressure?

Up to 240 bar



**WP Series, Measure flow.
See WP technical bulletin
& table below**

Model Number	Sizes available (size code)	Flow Range (lpm)	Pressure (bar)
01	3	0.5 - 4	240
02	3,4	1.0 - 8	240
05	3,4	2.0 - 19	240
10	3,4	4.0 - 38	240
15	3,4	4.0 - 56	240
20	4	10.0 - 75	240
25	4	10.0 - 95	240
25	5	10.0 - 100	240
30	4	10.0 - 110	240
40	4	15.0 - 150	240
50	5	20.0 - 180	240
75	5	20.0 - 280	240
88	5	50.0 - 375	240
99	5	75.0 - 550	240

Up to 420 bar



**FI Series, Measures flow.
(Optional temperature
and pressure)
See FI brochure**



**FIK Series, FI Series with loading
valve. See FIK brochure**

Size Code	Port sizes available (BSPP)
3	1/4", 3/8", 1/2"
4	3/4", 1"
5	1 1/4", 1 1/2", 2"

*Special

For a full range of hydraulic test equipment, including Turbine Flow Meters and high accuracy Bi-directional Testers, please contact our sales office.

Your Webtec Products representative:



WEBTEC PRODUCTS LIMITED

Nuffield Road, St. Ives, Cambridgeshire, PE27 3LZ, UK
Tel: +44(0)1480 397400 Fax: +44(0)1480 466555

E-mail: sales@webtec.co.uk
See us at: www.webtec.co.uk

Webtec Products Limited reserve the right to make improvements and changes to the specification without notice.