

Pressure Gauges

● 63 mm Diameter

Heavy duty glycerine filled pressure gauges with hermetically sealed brass case to prevent leakage and condensation. Gauges are glycerine filled for longer life and good dampening on pulsating pressures which occur in hydraulic Systems.

The case also incorporates a safety blow-out plug which relieves in the event of accidental overload. Gauges have dual scale PSI and bar. Accuracy $\pm 1.6\%$ of full scale at 20 °C.

Image representative of range only



Manufacturers of hydraulic components and test equipment for the Mobile, Industrial and Agricultural industries



Nuffield Road,
St. Ives, Cambs.,
PE27 3LZ, UK

Tel: +44(0)1480 397400

Fax: +44(0)1480 466555

www.webtec.co.uk

E-mail: sales@webtec.co.uk

Features

- 63 mm (2 1/2") Diameter.
- Dual scales PSI and Bar
- Glycerine filled
- 1/4" BSPP connection
- Bottom or centre back connection

BFPA The British Fluid Power Association

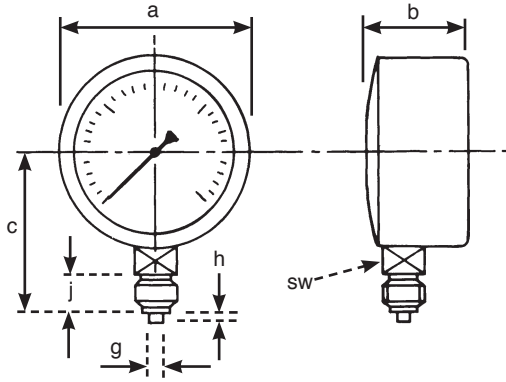


Certificate No.8242

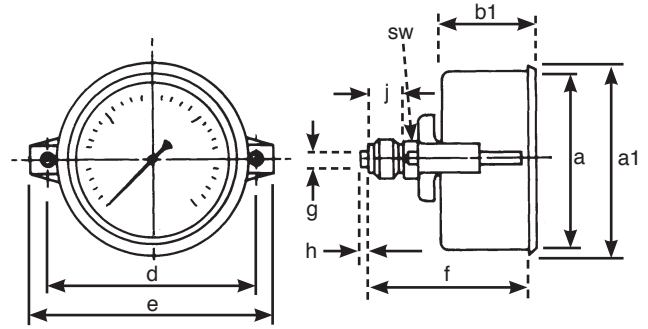
GAUGE-BU-ENG-0682.pdf
(Issue 1)

07/11

Bottom connection



Centre back connection



Nominal sizes

	a	a1	b	b1	c	d	e	f	g	h	j	sw
mm	63	68	37	37	53	72	85	60	5	3	12	14
Inches	2.5	2.7	1.5	1.5	2.1	2.8	3.3	2.4	0.2	0.1	0.5	0.6

Specifications

Bottom connection			Centre Back Connection		
Pressure Range		Part No	Pressure Range		Part No.
psi	bar		psi	bar	
29	2	FT 5274-14	30	2	FT 5627-7
58	4	FT 5274-13	60	4	FT 5627-8
140	10	FT 5274-1	100	7	FT 5627-14
290	20	FT 5274-2	160	10	FT 5627-15
580	40	FT 5274-3	200	14	FT 5627-10
1000	70	FT 5274-6	400	25	FT 5627-16
2300	160	FT 5274-5	500	35	FT 5627-13
2900	200	FT 5274-7	1000	70	FT 5627-1
4000	280	FT 5274-8	2000	140	FT 5627-2
5000	350	FT 5274-12	3000	200	FT 5627-3
5800	400	FT5274-4	4000	280	FT 5627-4
10000	700	FT 5274-11	5000	350	FT 5627-5
Rubber	-	FT 2321	6000	400	FT 5627-6
Cover	-		8500	580	FT 5627-18