

FDC 60 Series

Flow Divider Combiner



Nuffield Road,
St. Ives, Cambs.,
PE27 3LZ, UK
Tel: +44(0)1480 397400
Fax: +44(0)1480 466555
www.webtec.co.uk
E-mail: sales@webtec.co.uk

A Flow Divider-Combiner will divide a single flow into two separate flows which will always be in the same ratio to each other regardless of any pressure differential between the two lines. If the flow is reversed (e.g. return stroke of two cylinders) the return flows are held in the same ratio to each other and combined into a single flow, regardless of individual loads on the cylinders

A common application is to keep two cylinders (or motors) in close unison when loads on them are unequal. The valves may also be used in series to operate more than two circuits.

Specifications

Maximum Pressure:
310 bar (working)

Total Flow Capacity:
70 lpm

Porting:
See Table 2, ordering codes

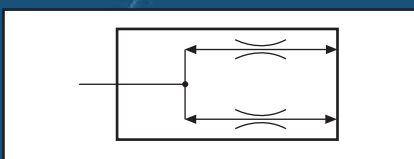
Materials:
Steel components in cast iron body

Weight:
2.05 kg

Mounting:
Three bolt



Symbol



Features

- Pressure compensated to keep the two divided flow rates at the same ratio regardless of pressure variations between them.
- Flow ratios are pre-set at factory from 50% - 50% up to 10% - 90%.
- Flow ranges are available from 5 lpm to 70 lpm.
- Cast iron/hardened steel construction (no aluminium) makes it suitable for mining applications.

Manufacturers of hydraulic components and test equipment
for the Mobile, Industrial and Agricultural industries



FDC60-BU-ENG-2523.pdf
(Issue 1)

04/10

Ordering Codes



Table 1: Recommended Flow Range

Code	Flow Range
05	2 - 5 lpm
10	5 - 10 lpm
20	8 - 20 lpm
30	16 - 30 lpm
40	25 - 40 lpm
50	35 - 50 lpm
60	45 - 60 lpm
70	55 - 70 lpm

Table 3: Divider Ratio

A	B
50%	50%
thru'	
10%	90%

Note: Either outlet port (A or B) may be designated to take either leg of the ratios.

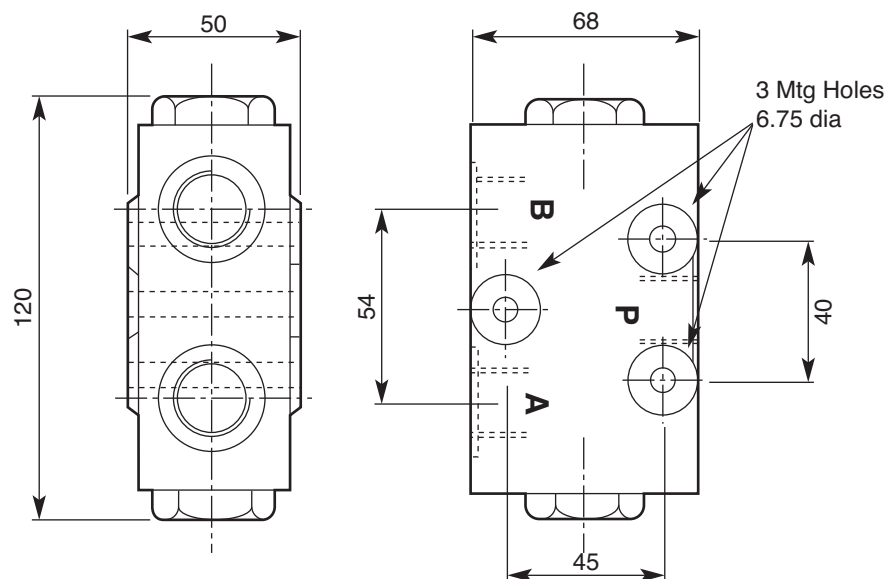
The example shown designates 40% at A and 60% at B. Any ratio from 50% - 50% to 90% - 10% may be specified.

Table 2: Porting (choose from following codes)

Code	Port P	Port A	Port B
1	M18 x 1.5	M18 x 1.5	M18 x 1.5
2	M22 x 1.5	M18 x 1.5	M18 x 1.5
3	3/8" BSPP	3/8" BSPP	3/8" BSPP
4	1/2" BSPP	3/8" BSPP	3/8" BSPP
5	1/2" BSPP	1/2" BSPP	1/2" BSPP
6	7/8" -14UN #10 SAE ORB	3/4" -16UN #8 SAE ORB	3/4" -16UN #8 SAE ORB
7	M27 x 2	M22 x 1.5	M22 x 1.5
8	1/2" NPTF	1/2" NPTF	1/2" NPTF

Installation Details

Dimensions in millimetres



* Other threads available to special order.

